



**CATALOG**

**2020**

## OUR COMMITMENT

At SG NDT, we pride ourselves in manufacturing high-quality probes in our Quebec facilities, as well as offering OEM solutions.

Satisfaction, innovation and durability, our pillars when designing and producing each instrument.

We can develop and build custom probes or accessories that will answer to a problem encountered in your inspection. With our diversified experience in the industry in almost every sector, we can bring a breadth of knowledge to any new inspection problem

Our technical experts are ready to answer your inquiries.

## NOTIFICATIONS

*Incoterms 2010 ©: FCA Lévis*

*You will be provided with an estimated delivery date by means of your order confirmation.*

To obtain a quotation from any product featured below, please contact us via [info@sgndt.com](mailto:info@sgndt.com)

# CONTENTS

OUR COMMITMENT .....	0
NOTIFICATIONS.....	0
CONTENTS .....	1
ACRONYMS .....	3
INSPECTION INSTRUMENT.....	4
S <sub>2</sub> G <sub>2</sub> .....	4
S <sub>2</sub> G <sub>2</sub> - Part Numbering .....	4
S <sub>2</sub> G <sub>2</sub> - Accessories.....	5
SOFTWARE SOLUTIONS .....	6
EMMA .....	6
TUBING PROBES.....	7
Probe Diameter Acronym .....	7
Probe Pushing Tube Acronym.....	7
Connector Acronym.....	7
Tube Type Acronym .....	7
ECT- Rigid Probes.....	8
Mid ECT -Frequency Range: ECT - SAT.....	8
ECT - SAT - Rigid Probe - Frequency Chart .....	8
ECT - SAT - Rigid Probes - Diameter Chart .....	9
ECT - Rigid Probes - Part Numbering .....	10
TSAT-Eddy Current Saturation Bobbin probe .....	12
RFT - Remote Field Rigid Probes.....	13
Mid-Frequency Range: RFT - RNF - NFT – NFA .....	13
RFT - RNF - NFT – NFA - Rigid Probes - Frequency Chart .....	13
RFT - RNF - Rigid Probes - Diameter Chart.....	14
RFT - Remote Field Rigid Probes - Part Numbering .....	15
TRNF – Remote Field & Near Field Probes.....	16
TRNF - Remote Field & Near Field Probes - Numbering .....	16
Remote Field Flexible Tubing - Pushing Probes .....	17
RFT Flexible Tubing Probes - Part Numbering .....	17
With Cable: .....	17



Detachable:.....	18
NFT – NFA - Near Field Bobbin & Near Field Array Probes.....	19
Mid-Frequency Range: RFT - RNF - NFT – NFA .....	19
NFT - Near Field Bobbin Probes - Diameter Chart .....	19
NFA - Near Field Array Probes - Diameter Chart .....	19
NFT - Near Field Bobbin Probes Part - Numbering .....	20
NFA - Near Field Array Probe - Part Numbering .....	21
SURFACE PROBES.....	22
SHAPE Array Probe .....	22
Mid Frequency-Range Shape Probe .....	22
SHAPE Array Probe - Part Numbering.....	23
SHAPE Array Probe – Encoder .....	23
PROBES ACCESSORIES.....	24
Detachable Cable for Eddy Current Probe.....	24
Detachable Cable for Eddy Current Probe - Part Numbering .....	24
Detachable Cable for Remote Field Probe.....	25
Cable for Remote Field Flexible Tubing Probe - Part Numbering .....	25
Probe Adapters.....	25
CONTACT INFORMATION .....	26



## ACRONYMS

<b>Inspection Instruments</b>	
S2G2	S <sub>2</sub> G <sub>2</sub> instrument
ACCA	Battery pack
<b>Surface &amp; Weld Probes</b>	
SHAPE	Surface Array probe
<b>Tubing</b>	
TECT	Eddy current rigid probe
TNFT	Near-field probe
TNFA	Near-field array probe
TRFT	Remote field rigid probe
TRNF	Remote field & Near Field probe
<b>Probe Accessories</b>	
CBLA	Adapter
CBLT	Detachable cable for probe
ENCS	Encoder for surface probe

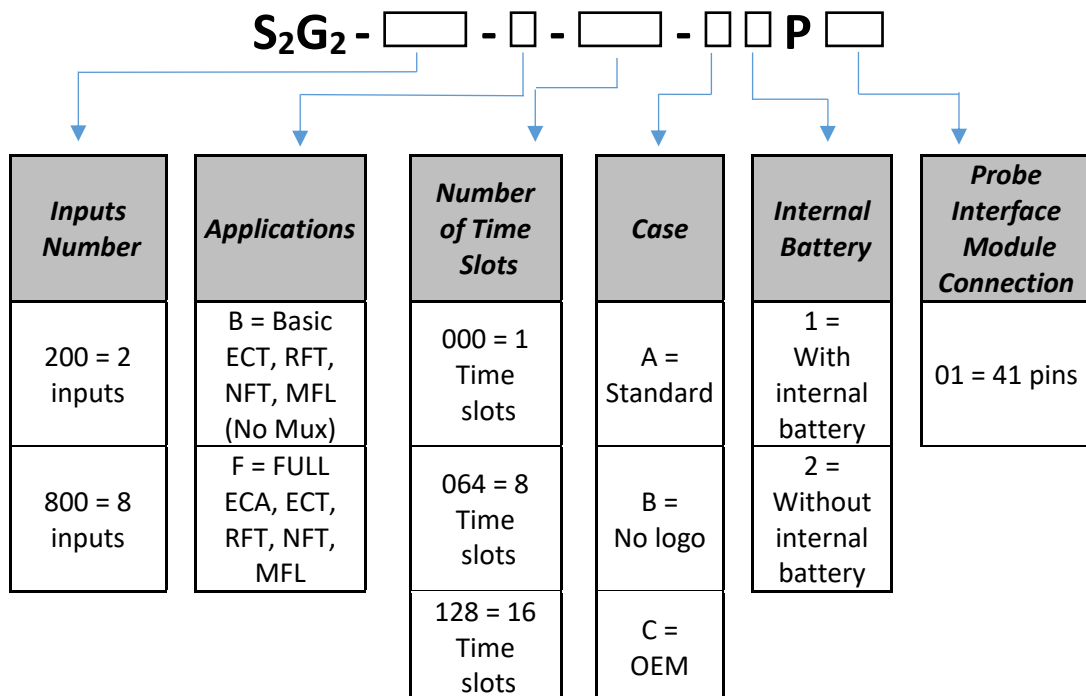
## INSPECTION INSTRUMENT

### S<sub>2</sub>G<sub>2</sub>

- The S2G2-800 Eddy current instrument is capable of functioning in the most demanding environments.
- Offered in both tubing and surface array configurations, the S2G2 is ideal for applications within Balance-of-Plant/Power Generation, Oil and Gas and Industrial markets.
- Multiples probe interface module connector configurations offered.



### S<sub>2</sub>G<sub>2</sub>- Part Numbering



<i>Number Of Inputs</i>	<i>Applications</i>	<i>Number of Time Slots</i>	<i>Internal Battery Pack</i>	<i>Acronym</i>
2	BASIC	1 Time Slots	Without	S2G2-200-B-000-A2P01
8	FULL	8 Time Slots	Without	S2G2-800-F-064-A2P01
8	FULL	16 Time Slots	Without	S2G2-800-F-128-A2P01
8	FULL	32 Time Slots	Without	S2G2-800-F-256-A2P01

- Other configurations are possible: number of time slots and number of pins of the Probe interface module and motor control.
- Standard S<sub>2</sub>G<sub>2</sub> package includes RJ-45 Cable, probe connector, 24 DC power supply and Pelican Transportation Case.
- **Approximate production lead time: 4-6 weeks**

### S<sub>2</sub>G<sub>2</sub> - Accessories

<i>S<sub>2</sub>G<sub>2</sub> Accessories</i>	<i>Acronym</i>
<i>Internal Battery Pack: Pack: 5-Hour Autonomy</i>	ACCA-BATT-INT-LITH-185V
<i>LabView driver*</i>	LOGD-LABV-DR
<i>PELICAN transportation case with custom foam inserts</i>	CASE-PELI-S2G2-FUL

**N.B.:** LabView Driver is a software with open protocols for interface of several Eddy Current technologies. For industrial applications of tube and wire inspection, it is configurable according to the customer preferences.

## SOFTWARE SOLUTIONS

### EMMA

#### Acquisition and Analysis Software

- *Data acquisition*
- *Tubing array probes*
- *Surface array probes*
- *Analysis parameters include filters, C-Scans, Lissajous Curves, Dimensioning,*
- *Up to 2 encoders*
- *Point to point or Network connection*
- *Real-time and accurate data analysis*
- *Data export to .CSV*

Description	Acronym
Emma software	EMMA STD



## TUBING PROBES

- With a distinctive design and exceptional mechanical characteristics, SG NDT tubing probes offer accuracy combined with a durable product lifetime by using the latest materials.
- Robust configuration in stainless steel and high-end engineering thermoplastics.
- Probes offered in a large variety of diameters and cable lengths on all standard.
- Manufactured and tested to surpass industry standards which guarantee the conformity and optimization of the probe's durability and Eddy current data.

### Probe Diameter Acronym

Probe Diameter	Acronym Code
7.00 mm	070
...	...
99.8 mm	998

### Probe Pushing Tube Acronym

Probe Diameter	Suggested Pushing Tube Diameter	Acronym Code
7.0-9.8 mm	6.35 mm (1/4")	063
10.0-14.8 mm	7.94 mm (5/16")	079
15.0-28.8 mm	9.50 mm (3/8")	095
30.0-49.8 mm	12.70 mm (1/2")	127

### Connector Acronym

Connector	Acronym Code
4 pins MIL-C-5015*	04
6 pins Jaeger	06
19 pins MIL-C-26482**	19
41 pins MIL-C-26482**	41

\*MIL-C-5015 is the military standard threaded connectors.

\*\*MIL-C-26482 is the military standard bayonet connectors.

### Tube Type Acronym

Tube Type	Acronym Code
Nylon	A

## ECT- Rigid Probes

Mid ECT -Frequency Range: ECT - SAT

Mid-Frequency Range (kHz) – ECT - SAT Tubing Probe											
XF: Extra Low Frequency			LF: Low Frequency			MF: Medium Frequency			HF: High Frequency		
XF1	XF2	XF3	LF1	LF2	LF3	MF1	MF2	MF3	HF1	HF2	HF3
1	5	10	25	50	75	100	250	400	500	750	1000

## ECT - SAT - Rigid Probe - Frequency Chart

				Tube Material														
Tube Wall Thickness	BWG	mm	inch	Aluminum	Aluminum Bronze	Admiralty	Brass 70/30	Brass 85/15	Brass 95/5	Copper	Copper-nickel 70/30	Copper-nickel 90/10	Copper-nickel 95/5	INCONEL® 600	Stainless Steel 304/316	Titanium 0.99	Zirconium	
	10	3.40	0.135	XF	XF	XF	XF	XF	XF	XF	XF	XF	XF	XF	LF	LF	LF	LF
	11	3.05	0.120	XF	XF	XF	XF	XF	XF	XF	LF	XF	XF	XF	LF	LF	LF	LF
	12	2.77	0.109	XF	XF	XF	XF	XF	XF	XF	LF	XF	XF	XF	LF	LF	LF	LF
	13	2.41	0.095	XF	XF	XF	XF	XF	XF	XF	LF	XF	XF	XF	LF	LF	LF	LF
	14	2.11	0.083	XF	XF	XF	XF	XF	XF	XF	LF	LF	XF	LF	LF	LF	LF	LF
	15	1.83	0.072	XF	LF	XF	XF	XF	XF	XF	LF	LF	LF	MF	LF	LF	LF	LF
	16	1.65	0.065	XF	LF	XF	XF	XF	XF	XF	LF	LF	LF	MF	MF	LF	LF	LF
	17	1.47	0.058	XF	LF	XF	XF	XF	XF	XF	LF	LF	LF	MF	MF	LF	LF	LF
	18	1.24	0.049	XF	LF	LF	LF	XF	XF	XF	LF	LF	LF	MF	MF	MF	MF	MF
	19	1.07	0.042	XF	LF	LF	LF	LF	XF	XF	MF	LF	LF	MF	MF	MF	MF	MF
	20	0.89	0.035	XF	LF	LF	LF	LF	LF	XF	MF	LF	LF	HF	MF	MF	MF	MF
	21	0.81	0.032	LF	LF	LF	LF	LF	LF	XF	MF	MF	LF	HF	HF	MF	MF	MF
	22	0.71	0.028	LF	LF	LF	LF	LF	LF	LF	MF	MF	LF	HF	HF	MF	MF	MF
	23	0.64	0.025	LF	MF	LF	LF	LF	LF	LF	MF	MF	MF	HF	HF	HF	HF	MF
	24	0.56	0.022	LF	MF	LF	LF	LF	LF	LF	HF	MF	MF	HF	HF	HF	HF	HF

## ECT - SAT - Rigid Probes - Diameter Chart

			Tube Outside Diameter									
BWG	mm		9.53	12.70	15.87	19.05	22.22	25.40	31.75	38.10	50.80	
	inch		0.375	0.500	0.625	0.750	0.875	1.000	1.250	1.500	2.000	
Tube Wall Thickness	00	9.6520	0.380							11.6	17.4	29.0
	0	8.6360	0.340						7.6	13.4	19.4	31.0
	1	7.6200	0.300						9.4	15.4	21.0	33.0
	2	7.2136	0.284					7.2	10.2	16.2	22.0	34.0
	3	6.5786	0.259					8.4	11.4	17.2	23.0	35.0
	4	6.0452	0.238					9.4	12.4	18.2	24.0	36.0
	5	5.5880	0.220				7.4	10.2	13.2	19.2	25.0	37.0
	6	5.1562	0.203				8.2	11.0	14.0	20.0	26.0	37.4
	7	4.5720	0.180				9.2	12.2	15.2	21.0	27.0	38.4
	8	4.1910	0.165				10.0	12.8	15.8	21.4	27.4	39.4
	9	3.7592	0.148			7.8	10.8	13.6	16.6	22.4	28.4	40.0
	10	3.4036	0.134			8.4	11.4	14.4	17.2	23.0	29.0	41.0
	11	3.0480	0.120			9.0	12.0	15.0	18.0	24.0	29.4	41.4
	12	2.7686	0.109			9.6	12.6	15.6	18.4	24.4	30.0	42.0
	13	2.4130	0.095		7.4	10.2	13.2	16.2	19.2	25.0	31.0	42.4
	14	2.1082	0.083		7.8	10.8	13.8	16.8	19.8	25.4	31.4	43.4
	15	1.8288	0.072		8.4	11.4	14.4	17.2	20.0	26.0	32.0	44.0
	16	1.6510	0.065		8.8	11.6	14.6	17.6	20.4	26.4	32.4	44.0
	17	1.4732	0.058		9.0	12.0	15.0	18.0	21.0	26.4	32.4	44.4
	18	1.2446	0.049		9.4	12.4	15.4	18.4	21.4	27.0	33.0	45.0
	19	1.0668	0.042		9.8	12.8	15.8	18.6	21.4	27.4	33.4	45.0
	20	0.8890	0.035	7.2	10.2	13.2	16.0	19.0	22.0	28.0	33.4	45.4
	21	0.8128	0.032	7.4	10.2	13.2	16.2	19.2	22.0	28.0	34.0	45.4
	22	0.7112	0.028	7.6	10.4	13.4	16.4	19.4	22.0	28.0	34.0	46.0
23	0.6350	0.025	7.6	10.6	13.6	16.6	19.4	22.4	28.4	34.0	46.0	
24	0.5588	0.022	7.8	10.8	13.8	16.6	19.6	22.4	28.4	34.4	46.0	

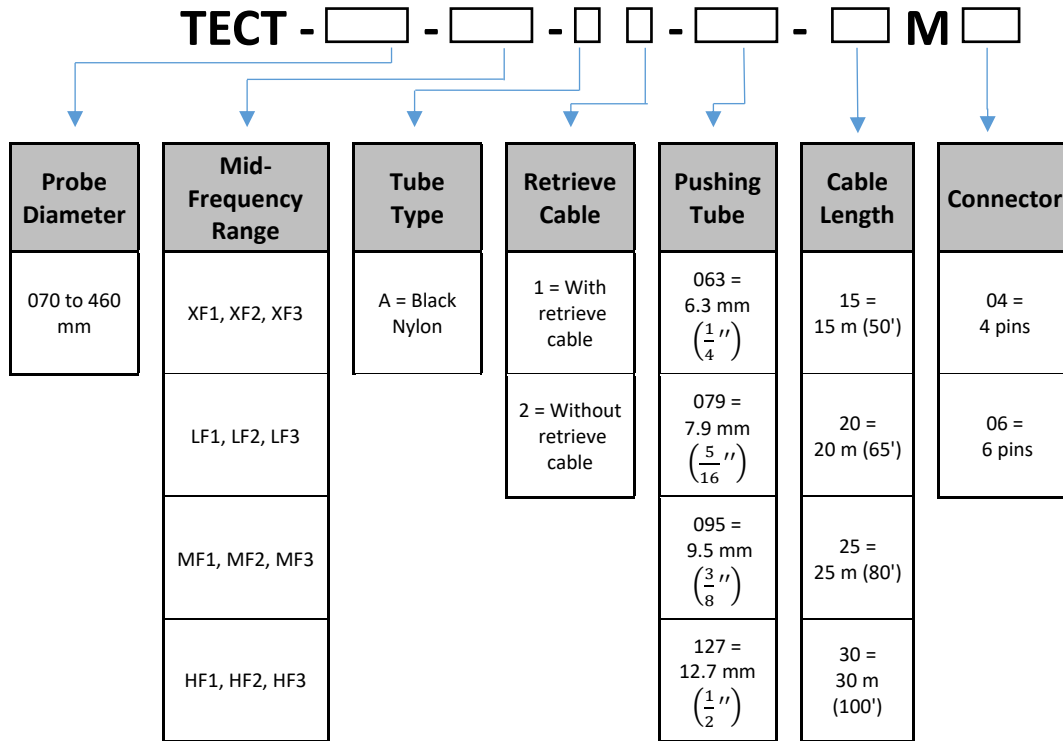
- Larger OD available on request.

This document is the exclusive property of SG NDT Inc. It cannot be used or reproduced in parts or in totality without written consent of SG NDT Inc.



## ECT - Rigid Probes - Part Numbering

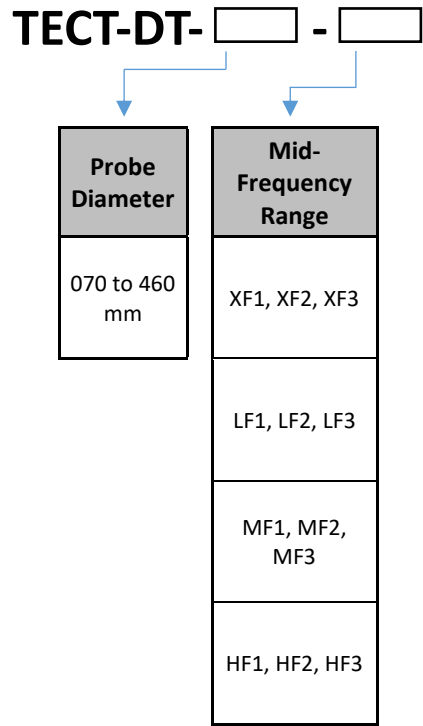
With Cable:



Ex: **TECT-200-MF2-A2-095-25MO4** → ECT bobbin probe rigid with cable, OD 20 mm, Mid frequency MF2 (250 kHz), Tube type A (Nylon), Without retrieve cable, Pushing Tube OD 9.5 mm (3/8"), Cable length 25 m (80'), 4-pin connector.

- **Approximate production lead time: 2 weeks**

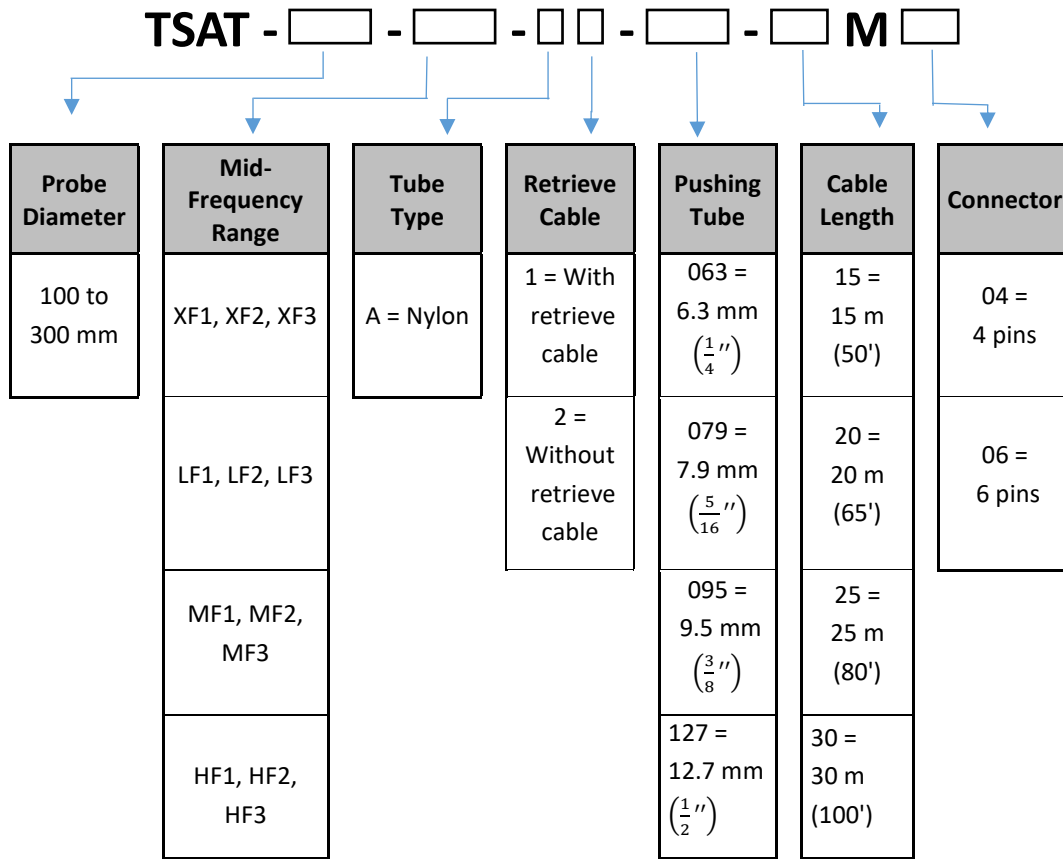
Detachable:



Ex: **TECT-DT-200-MF2** →ECT bobbin probe, detachable, OD 20 mm, Mid frequency MF2 (250 kHz).

- **Approximate production lead time: 2 weeks**

## TSAT-Eddy Current Saturation Bobbin probe



**E.G. TSAT-112-MF1-A2-079-20M04** → ECT saturation bobbin probe rigid with cable, OD 11.2 mm, Mid frequency MF1 (100 kHz), Tube type A (Nylon), Without retrieve cable, Pushing Tube OD 7.9 mm (5/16"), Cable length 20 m (65'), 4 pins Amphenol connector

- **Approximate production lead time: 2 weeks**

## RFT- Remote Field Rigid Probes

Mid-Frequency Range: RFT - RNF - NFT – NFA

Mid-Frequency Range (Hz) - RFT – RNF – NFT - NFA Tubing Probe		
Low Frequency	Medium Frequency	High Frequency
LF2 (10-100 Hz) Central 50 Hz	MF2 (100 -1000 Hz) Central 300 Hz *Typical frequency range	HF2 (500-20000 Hz) Central 2500 Hz

## RFT - RNF - NFT – NFA - Rigid Probes - Frequency Chart

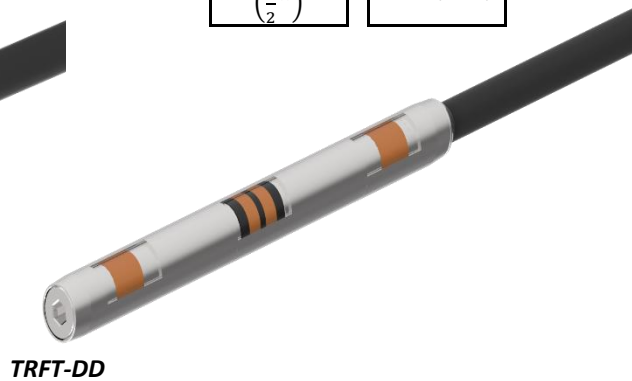
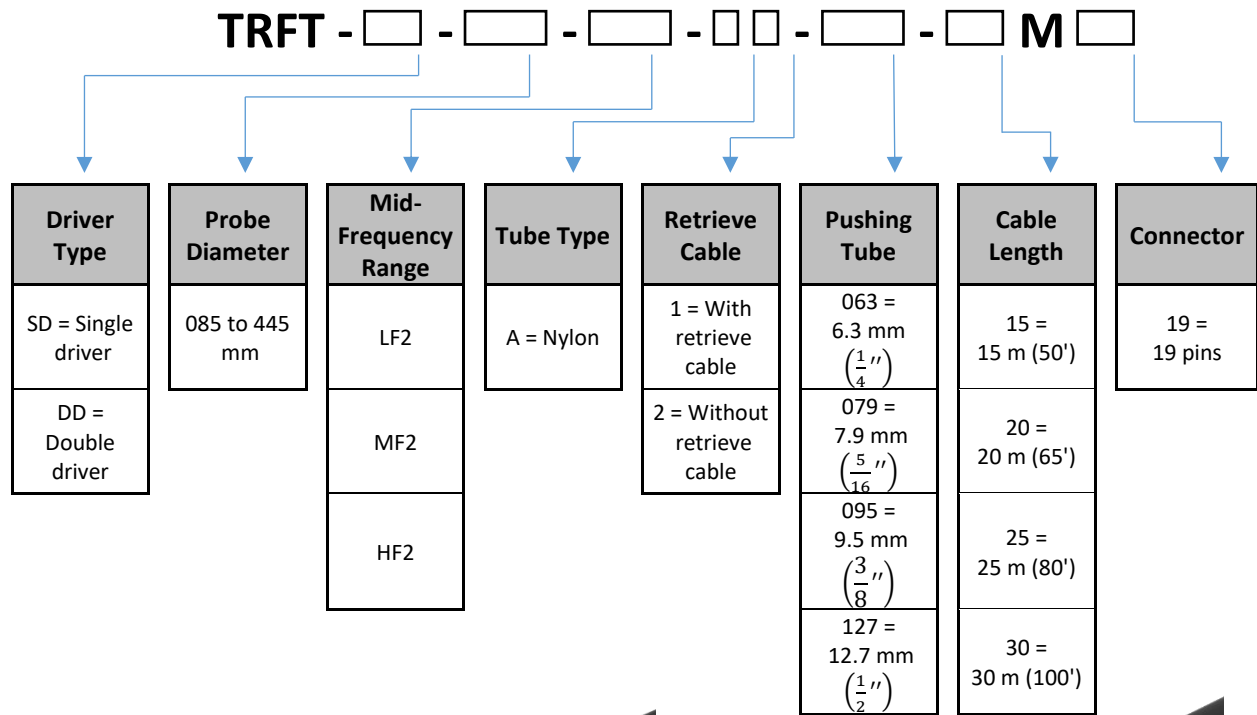
				Tube Material					
Tube Wall Thickness	BWG	mm	inch	Carbon Steel A178,A179,A192, A214	Cast Iron Gray	Ductile Iron	Nickel 200	Stainless Steel 439, A268, TP439	Stainless Steel duplex 2205, 3REG60, A789
	4	6.05	0.238	LF	MF	LF	MF	MF	HF
	5	5.59	0.220	LF	MF	LF	MF	MF	HF
	6	5.16	0.206	LF	MF	LF	MF	MF	HF
	7	4.57	0.180	LF	MF	MF	MF	HF	HF
	8	4.19	0.165	MF	MF	MF	MF	HF	HF
	9	3.76	0.148	MF	MF	MF	MF	HF	HF
	10	3.40	0.135	MF	MF	MF	MF	HF	HF
	11	3.05	0.120	MF	MF	MF	MF	HF	HF
	12	2.77	0.106	MF	MF	MF	MF	HF	HF
	13	2.41	0.095	MF	MF	MF	MF	HF	HF
	14	2.11	0.083	MF	MF	MF	MF	HF	HF
	15	1.83	0.072	MF	HF	MF	MF	HF	HF
	16	1.65	0.065	MF	HF	MF	MF	HF	HF
	17	1.47	0.058	MF	HF	MF	HF	HF	HF
	18	1.24	0.049	MF	HF	HF	HF	HF	HF

## RFT - RNF - Rigid Probes - Diameter Chart

			Tube Outside Diameter								
BWG	mm		12.70	15.87	19.05	22.22	25.40	31.75	38.10	50.80	
	inch		0.500	0.625	0.750	0.875	1.000	1.250	1.500	2.000	
Tube Wall Thickness	00	9.6520	0.380						11.0	17.0	28.5
	0	8.6360	0.340						13.0	18.5	30.0
	1	7.6200	0.300					9.0	15.0	20.5	32.0
	2	7.2136	0.284					10.0	15.5	21.5	32.5
	3	6.5786	0.259					11.0	16.5	22.5	34.0
	4	6.0452	0.238				9.0	12.0	17.5	23.5	35.0
	5	5.5880	0.220				10.0	13.0	18.5	24.0	35.5
	6	5.1562	0.203				10.5	13.5	19.0	25.0	36.5
	7	4.5720	0.180			9.0	11.5	14.5	20.5	26.0	37.5
	8	4.1910	0.165			9.5	12.5	15.5	21.0	26.5	38.0
	9	3.7592	0.148			10.5	13.0	16.0	22.0	27.5	39.0
	10	3.4036	0.134			11.0	14.0	16.5	22.5	28.0	39.5
	11	3.0480	0.120		9.0	11.5	14.5	17.5	23.0	29.0	40.0
	12	2.7686	0.109		9.5	12.0	15.0	18.0	23.5	29.5	40.5
	13	2.4130	0.095		10.0	13.0	15.5	18.5	24.0	30.0	41.5
	14	2.1082	0.083		10.5	13.5	16.0	19.0	24.5	30.5	42.0
	15	1.8288	0.072		11.0	14.0	16.5	19.5	25.0	31.0	42.5
	16	1.6510	0.065		11.5	14.0	17.0	20.0	25.5	31.5	42.5
	17	1.4732	0.058	8.5	11.5	14.5	17.5	20.0	26.0	31.5	43.0
	18	1.2446	0.049	9.0	12.0	15.0	17.5	20.5	26.5	32.0	43.5
	19	1.0668	0.042	9.5	12.5	15.0	18.0	21.0	26.5	32.5	43.5
	20	0.8890	0.035	10.0	12.5	15.5	18.5	21.0	27.0	32.5	44.0
	21	0.8128	0.032	10.0	13.0	15.5	18.5	21.5	27.0	33.0	44.0
	22	0.7112	0.028	10.0	13.0	16.0	18.5	21.5	27.0	33.0	44.5
23	0.6350	0.025	10.0	13.0	16.0	19.0	21.5	27.5	33.0	44.5	
24	0.5588	0.022	10.5	13.0	16.0	19.0	22.0	27.5	33.0	44.5	



## RFT - Remote Field Rigid Probes - Part Numbering

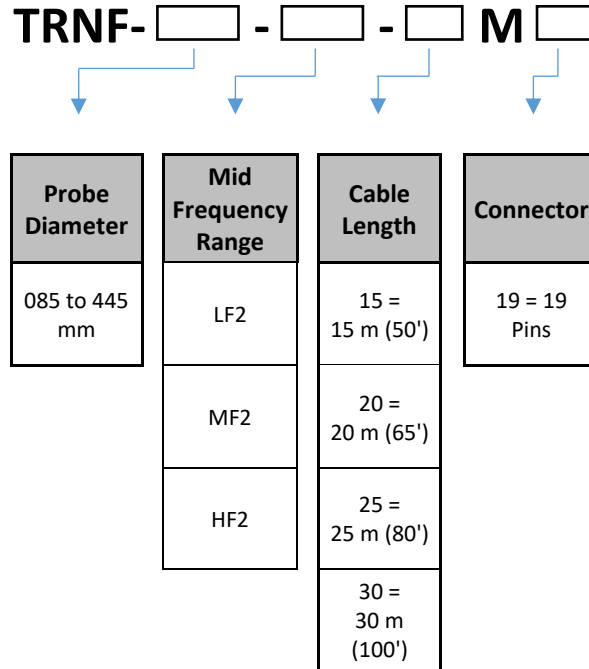


E.G Left figure: **TRFT-SD-200-MF2-A1-095-20M19** → RFT rigid probe with cable, Single driver, OD 20 mm, Mid frequency MF2 (300 Hz), Tube type A (Nylon), With retrieve cable, Pushing Tube OD 9.5 mm (3/8"), Cable length 20 m (65'), Connector 19 pins

- **Approximate production lead time: 2 weeks**

## TRNF – Remote Field & Near Field Probes

### TRNF - Remote Field & Near Field Probes - Numbering



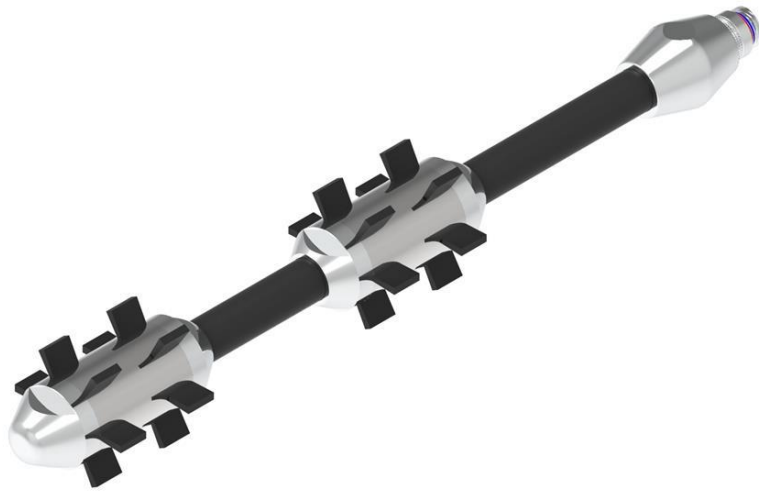
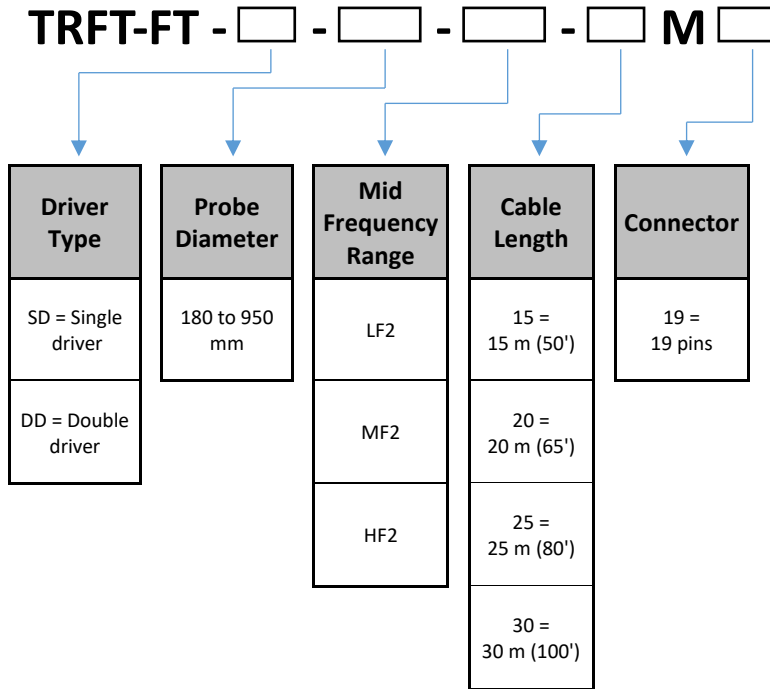
*E.G: **TRNF-200-LF2-20M19** → RFT & NFT probe, OD 20 mm, Mid Frequency LF2 (75 Hz), Cable length 20 m (65'), Connector 19 pins*

- **Approximate production lead time: 6 weeks**

## Remote Field Flexible Tubing- Pushing Probes

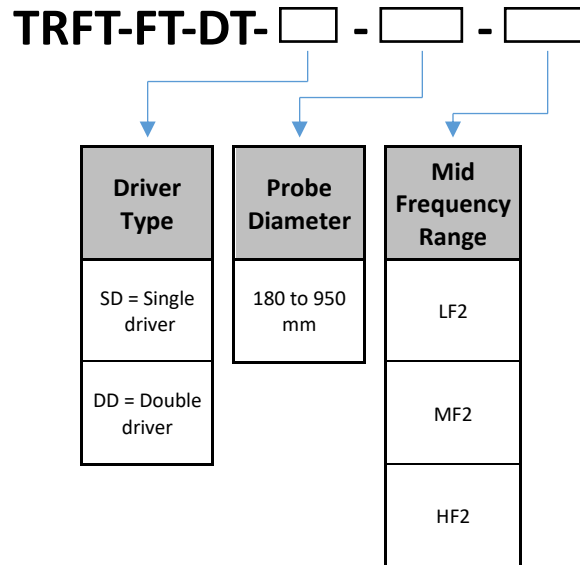
### RFT Flexible Tubing Probes - Part Numbering

With Cable:



*E.G: **TRFT-FT-SD-200-MF2-20M19** → Remote Field Flexible pushing probe with cable, Single driver, OD 20 mm, Mid frequency MF2 (300 Hz), Cable length 20 m (65'), Connector 19 pins*

Detachable:



*E.G : TRFT-FT-DT-SD-200-MF2 → Remote Field Flexible pushing probe, detachable, Single driver, OD 20 mm, Mid frequency MF2 (300 Hz)*

- **Approximate production lead time: 6 weeks**
- Double driver on request.

## NFT – NFA- Near Field Bobbin & Near Field Array Probes

Mid-Frequency Range: RFT - RNF - NFT – NFA

Mid-Frequency Range (Hz) - RFT – RNF – NFT - NFA Tubing Probe		
Low Frequency	Medium Frequency	High Frequency
LF2 (10-100 Hz) Central 50 Hz	MF2 (100 -1000 Hz) Central 300 Hz *Typical frequency range	HF2 (500-20000 Hz) Central 2500 Hz

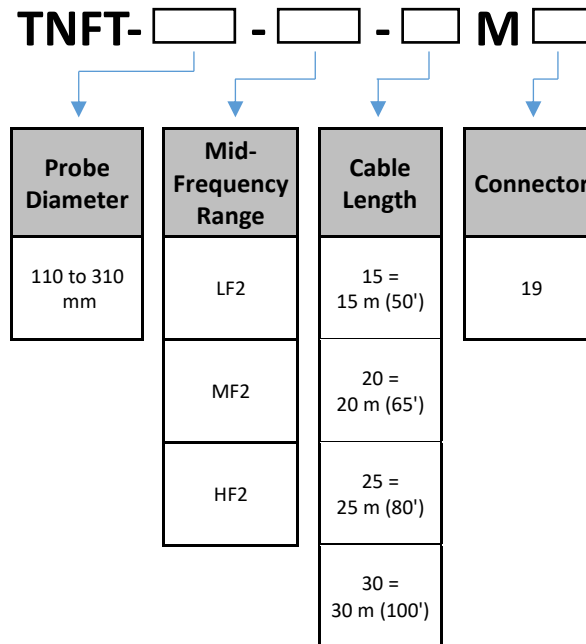
### NFT - Near Field Bobbin Probes - Diameter Chart

				Tube Outside Diameter				
				19.05	25.40	31.75	38.10	
				0.750	1.000	1.250	1.500	
		BWG	mm	inch				
Tube Wall Thickness	8	4.1910	0.165		15	21	27	
	9	3.7592	0.148		16	22	28	
	10	3.4036	0.134	11	17	22	28	
	11	3.0480	0.120	12	17	23	29	
	12	2.7686	0.109	12	18	24	29	
	13	2.4130	0.095	13	19	24	30	
	14	2.1082	0.083	13	19	25	30	
	15	1.8288	0.072	14	20	25	31	
	16	1.6510	0.065	14	20	26	31	
	17	1.4732	0.058	14	20	26		
18	1.2446	0.049	15	21	26			

### NFA - Near Field Array Probes - Diameter Chart

				Tube Outside Diameter				
				19.05	25.40	31.75	38.10	
				0.750	1.000	1.250	1.500	
		BWG	mm	inch				
Tube Wall Thickness	10	3.4036	0.134		17	23	29	
	11	3.0480	0.120		18	23.5	29.5	
	12	2.7686	0.109	12.5	18.5	24	30	
	13	2.4130	0.095	13	19	25	30.5	
	14	2.1082	0.083	13.5	19.5	25.5	31.5	
	15	1.8288	0.072	14	20	26	32	

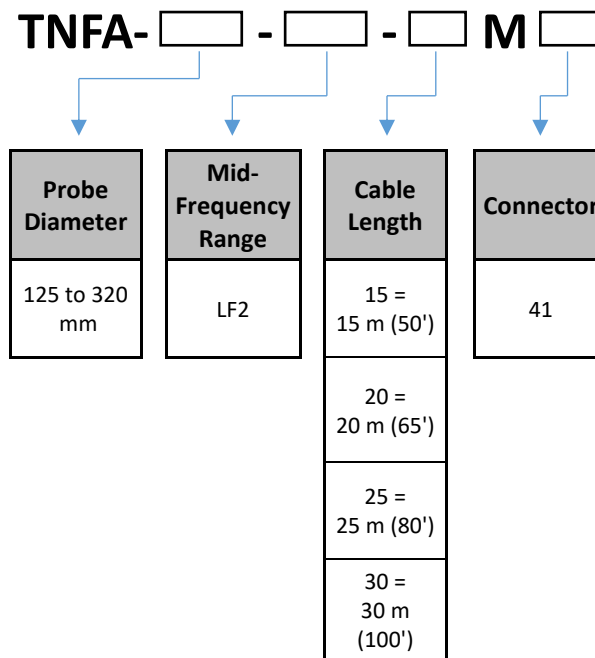
## NFT - Near Field Bobbin Probes Part - Numbering



E.G: **TNFT-200-LF2-20M19** → NFT bobbin probe, OD 20 mm, Mid Frequency LF2 (75 Hz), Cable length 20 m (65'), Connector 19 pins

- **Approximate production lead time: 6 weeks**

## NFA - Near Field Array Probe - Part Numbering



*E.G: **TNFA-200-LF2-20M41** → NFA bobbin probe, OD 20 mm, Mid Frequency LF2 (50 Hz), Cable length 20 m (65'), Connector 41 pins*

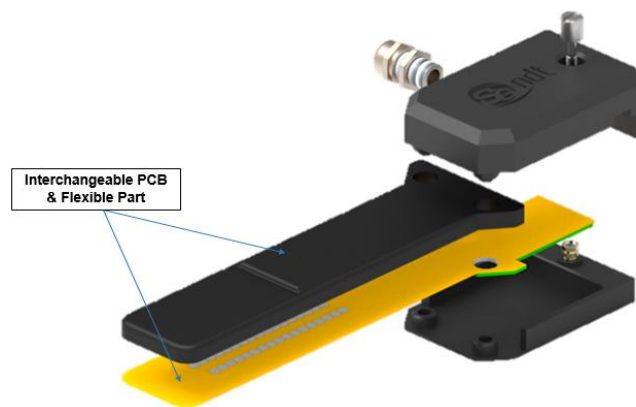
- **Approximate production lead time: 6 weeks**

## SURFACE PROBES

- Surface array probes are designed to offer high performance flaw detection as well as vast adaptability to different shapes.
- Each has an interchangeable probe section: Linear short, linear mid and linear long are the standards. Custom shapes available on request.
- Some of our probes available upon request are: Pencil, Encircling, Dovetail, Weld and Thread.

### SHAPE Array Probe

- Embedded multiplexer facilitates integration to non-proprietary inspection equipment.
- Offers all the flexibility required to inspect welds and surfaces.
- Small, compact and lightweight.
- Flexible printed circuit board (PCB).
- Two modes available: transmit-receive or impedance modes on request.
- Average frequency of 100 kHz (50-500 kHz).
- Topology and shape are customizable upon request.
- Interchangeable inspection surface to adapt *to specific needs or when worn out.*

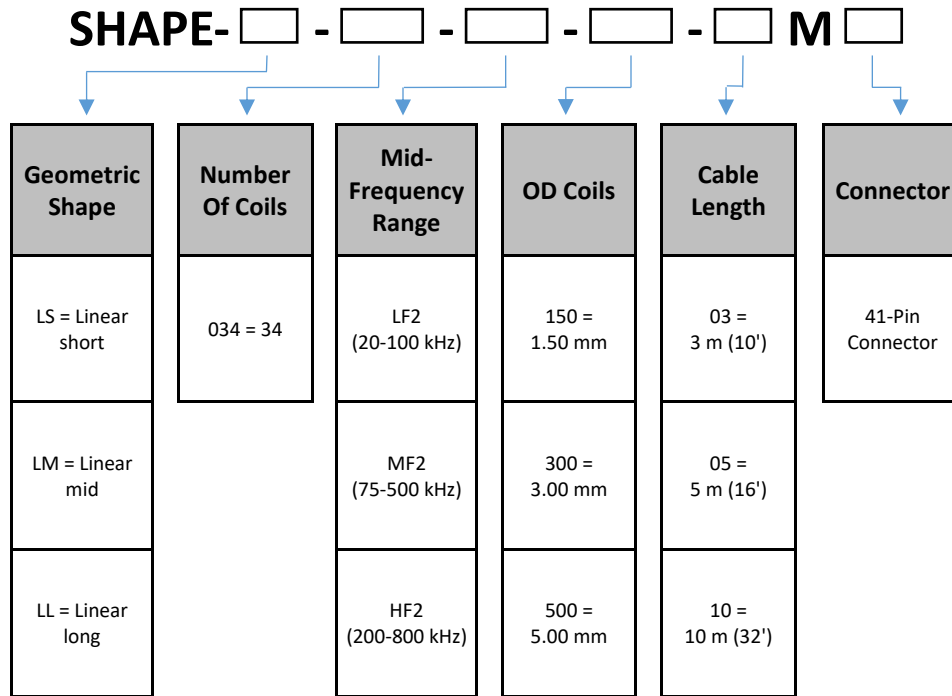


### Mid Frequency-Range Shape Probe

Mid-Frequency Range (kHz) - SHAPE Probe		
Low Frequency	Medium Frequency	High Frequency
LF2 (20-100 kHz) Central 70 kHz	MF2 (75-500 kHz) Central 250 kHz	HF2 (200-800 kHz) Central 500 kHz

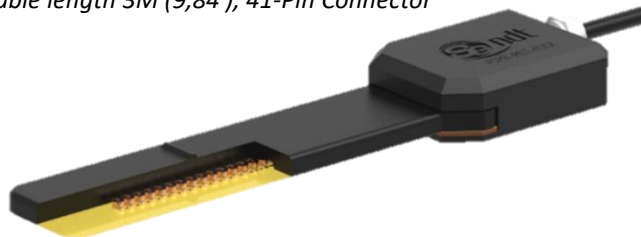


## SHAPE Array Probe - Part Numbering



- **Approximate production lead time: 3-4 weeks**

E.G: **SHAPE-LM-034-MF2-295-03M41** → Flexible PCB, Probe, Coverage 50mm, Transmit-receive, 34 elements, 2.95 mm, MF2 (75 - 500 kHz), Cable length 3M (9,84'), 41-Pin Connector



## SHAPE Array Probe – Encoder

Item Acronym	Cable Length		
ENCS-SLOT-025-XXM39	03= 3m (10')	05= 5 m (16')	10 =10m (32')

- **Approximate production lead time: 2 - 4 weeks**



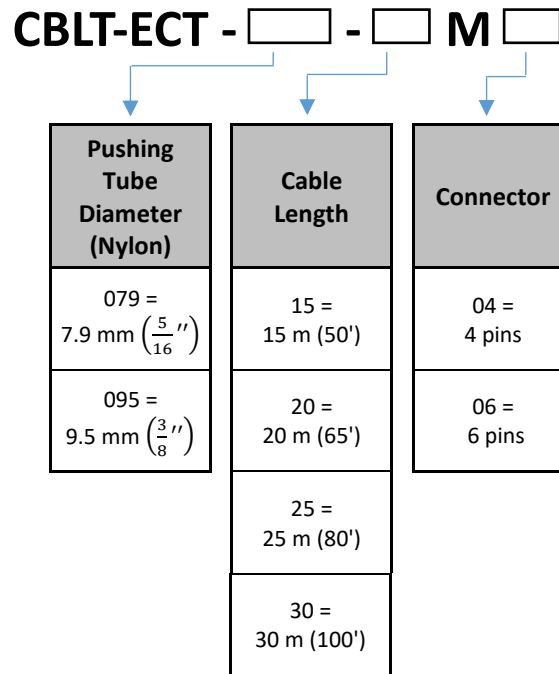
This document is the exclusive property of SG NDT Inc. It cannot be used or reproduced in parts or in totality without written consent of SG NDT Inc.



## PROBES ACCESSORIES

### Detachable Cable for Eddy Current Probe

#### Detachable Cable for Eddy Current Probe - Part Numbering



- **Approximate production lead time: 2 weeks**

*E.G: **CBL-ECT-079-15M06** → ECT cable, Pushing Tube OD 7.9 mm (5/16"), Cable length 15 m (50'), 6 pins Jaeger connector.*

## Detachable Cable for Remote Field Probe

### Cable for Remote Field Flexible Tubing Probe - Part Numbering

**CBLT-RFT- FT -  -**

Pushing Tube Diameter (Nylon)	Cable Length
095 = 9.5 mm ( $\frac{3}{8}$ " )	15 = 15 m (50')
127 = 12.7 mm ( $\frac{1}{2}$ " )	20 = 20 m (65')
	25 = 25 m (80')
	30 = 30 m (100')

- **Approximate production lead time: 2 weeks**

*E.G: CBL-RFT-FT-095-15* → RFT Flexible tubing cable, Pushing Tube OD 9.5 mm (3/8"), Cable length 15 m (50').

### Probe Adapters

Description	Acronym
Rigid adapter for ECT bobbin probe. Jaeger connector 6-pin male to Amphenol connector 41-pin male.	CBLA-RG-ECT-06-41P
Rigid adapter for RFT bobbin probe. Amphenol connector 19-pin female to 41-pin male	CBLA-RG-RFT-19-41P
Rigid adapter for ECT bobbin probe. Amphenol connector 4-pin female to 41-pin male.	CBLA-RG-ECT-04-41P

- **Approximate production lead time: 2 weeks**



This document is the exclusive property of SG NDT Inc. It cannot be used or reproduced in parts or in totality without written consent of SG NDT Inc.



## CONTACT INFORMATION

### **SG NDT INC.**

425, 3e Avenue, Suite 200  
Lévis, Québec, G6W 5M6  
CANADA  
Phone: + 1 (418)-830-8808

### **SG NDT SARL**

190, Route de la Croix d'Evieu,  
ST CLAIR DE LA TOUR, 38110  
FRANCE  
Phone: +33 651490036

**[WWW.SGNDT.COM](http://WWW.SGNDT.COM)**

For inquiries: [info@sgndt.com](mailto:info@sgndt.com)

